

# A9240 4-PORT 13.56MHz RFID READER

A9240P4 reader system is a high performance and cost effective 13.56MHz contactless reader system designed to compliant with ISO 15693 standard.

## SOFTWARE DOWNLOAD CUSTOMIZATION

The A9240P4-485 reader system offers software download capability where system integrator can modify existing functionalities or add new features.

## ANTENNA FLEXIBILITY

The A9240P4-485 reader system works with external 50ohm antenna of different sizes. Antenna can be located at some distance from the reader unit for easy installation and best environment adaptation. A selection of antennas with varying sizes is available for different operating distances requirements.

## COMPATIBILITY

The A9240P4-485 reader system is designed for ISO 15693 standard. RFID tag of various manufacturers can be used to offer the most cost saving application integration.

## FEATURE

- 4 sets of external 50 ohm antennas (A-004),(A-001)
- Operating distance up to 100cm (depends on transponder and antenna types)
- Complete evaluation kit available
- Serial communication speed 115.2 kbps
- Complete evaluation kit available
- ISO-15693 protocol standard
- Single power supply

## APPLICATIONS

- Logistics
- Access control
- Object tracking
- Identification
- Asset management

## RFID SYSTEM SPECIFICATION

Standard	ISO 15693
Operating Frequency	13.56MHz
Storage Temperature	-10°C to 50°C
Operating Temperature	0°C to 50°C
Operating Distance	Up to 100cm (Depends on the type of antenna and transponder)
Host interface	RS-485
Host Communication Baud Rate	115.2 kbps
Power Source	+19VDC
Standby Current Consumption	0.3A
Average Current Consumption	0.8A
Antenna (Sold Separately)	4 sets of 3lcmx10cm(typical)
Antenna connector	Reversed TNC type

# A9240 I-PORT 13.56MHz RFID READER

A9240PI reader system is a high performance and cost effective 13.56MHz contactless reader system designed to compliant with ISO 15693 standard.

## SOFTWARE DOWNLOAD CUSTOMIZATION

The A9240PI reader system offers software download capability where system integrator can modify existing functionalities or add new features.

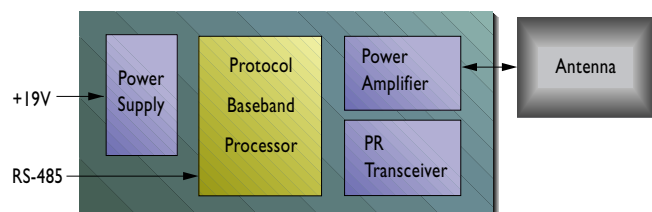
## ANTENNA FLEXIBILITY

The A9240PI reader system works with external 50ohm antenna of different sizes. Antenna can be located at some distance from the reader unit for easy installation and best environment adaptation. A selection of antennas with varying sizes is available for different operating distances requirements.

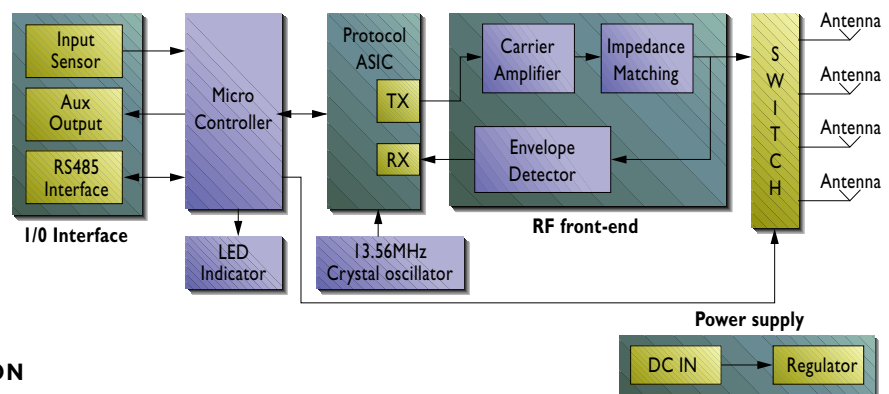
## COMPATIBILITY

The A9240PI reader system is designed for ISO 15693 standard. RFID tag of various manufacturers can be used to offer the most cost saving application integration.

## BLOCK DIAGRAM(A9240PI)



## BLOCK DIAGRAM(A9240P4)



## DIMENSION (unit: mm)

