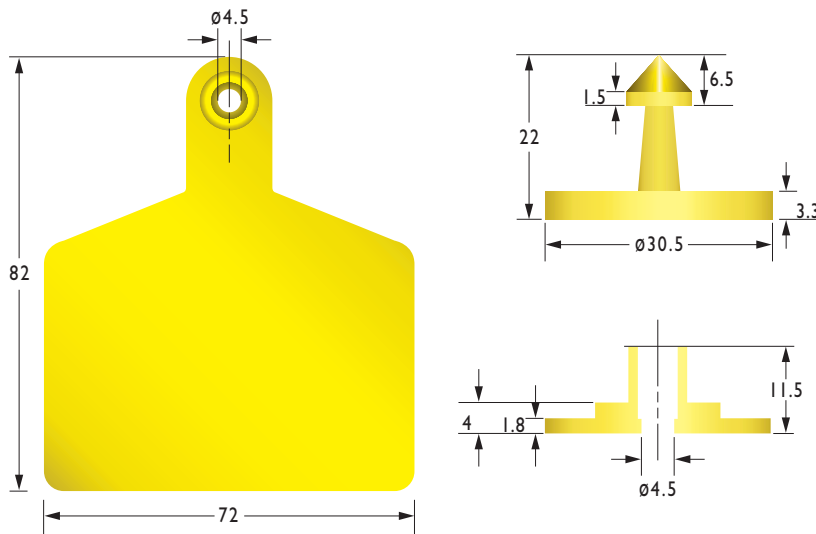


FLAP, EAR203 Animal Tag Transponder Specification

SIC Product Code	SIC-ET-FDX-RO	SIC-ET-FDX-RO	SIC-ET-HDX-RO	SIC-ET-HDX-RO
Memory Type	Read Only	Read/Write	Read Only	Read/Write
Data Memory (bits)	192	128 bits ID R/O, 800 bits R/W	192	128 bits ID R/O, 800 bits R/W
Traceability Data (Manufacturing tracking number)	64 bits Unique ROM-ID (UID)		64 bits Unique ROM-ID (UID)	
Standard and Protocol	ISO 11784/11785		ISO 11784/11785	
Transmission Method	Full Duplex (FDX-B)		Full Duplex (HDX)	
Modulation Method	ASK with sub carrier in Differential Bi-Phase RF/32, fc 134.2 KHz		ASK with sub carrier in Differential Bi-Phase RF/32, fc 134.2 KHz	
Maximum Read Range *	100-1000 mm		100-1500 mm	
Operating Temperature	-25 to 85 °C		-25 to 85 °C	
Storage Temperature	-40 to 125 °C		-40 to 125 °C	
Write Endurance	> 1,000,000 cycles		> 1,000,000 cycles	
Memory Retention	> 20 years		> 20 years	
Password Authorization	Yes		Yes	
Anti-Collision	yes, Response On Authorized (ROA)		yes, Response On Authorized (ROA)	
Housing Material	Polyurethane, UV Stable		Polyurethane, UV Stable	
Visual-ID Printing Technology	Thermal Transfer		Thermal Transfer	
Other ID Tracking	Support 2-D Barcode		Support 2-D Barcode	
Physical Dimensions	Button Ø30mm / Flap 56mm x 30mm		Button Ø30mm / Flap 56mm x 30mm	
Weight	7.65 g		7.65 g	

Depending on the Reader's power, antenna size, panel orientation, and environmental conditions.

Dimension: (unit: mm)



The tool for stinging a nail

