

SR816X,817X SCREW TAG

SR-816/17 Screw Tag is a very practical and multiple purpose FRID Tag that can fix on any type of woods, boards, plastic products and PCB...etc to do RFID Tracking management.

SR816X,817X RFID Screw Tag Specification

Model No.	SR816	SR817
Length / diameter	37.8mm/13.7mm	18.25mm/11.9mm
Reading Distance (GK4001 chip)	50mm	30mm
Base on EM9917 Reader		
Operating temperature	-40°C to 70°C	-40°C to 70°C
Storage temperature	-40°C to 80°C	-40°C to 80°C
Material	Nylon	Nylon
IP	67	67
Support following spec.		
GK4001 (125KHz, 64bit, R/O)	Y	Y
EM4102 (125KHz, 64bit, R/O)	Y	Y
I-code (13.56MHz, 512bit, R/W)	Y	Y
Temic E5557 (125KHz, 256bit, R/W)	Y	Y
Hitag1 (125KHz, 2048bit, R/W)	Y	Y
Hitag2 (125KHz, 256bit, R/W)	Y	Y

we can support new chip

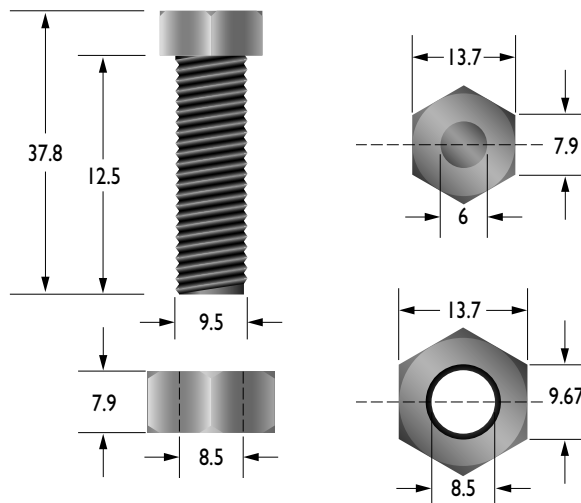
- SIC7960 – 1056Bit R/W RFID IC (Compatible Temic E555, Atmel T5557), 100-150KHz
- SIC7900X – 800 Bit, ISO 11784/85 Compliant HDX Read-Only Animal RFID IC, 134.2KHz
- SIC7771 – Multipurpose 256-Bit RFID Transponder IC, 100K-150KHz

Application:

- PC Board and electronics products checking and tracking management.
- Plastic products tracking management such as plastic case, pipe...etc
- Forestry management
- Timber and wooden products tracking management

Dimension: (unit: mm)

SR816



SR817

